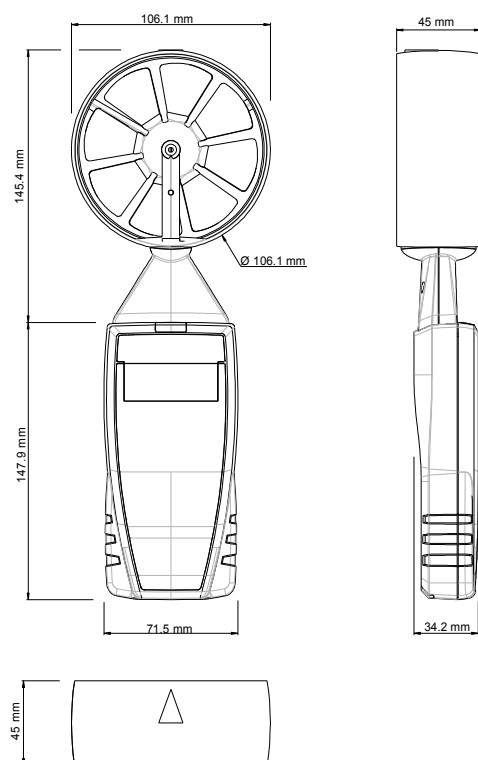


## Propeller Thermo-anemometer LV 50

### KEY POINTS

- Easy to use
- HOLD function
- Built-in propeller
- Auto shut-off : 20 minutes

### FEATURES OF THE HOUSING



**Material :** ABS

**Protection :** IP54

**Display :** 1 line  
LCD 1 x 5 digits  
Size : 50 x 20 mm

**Height of digits :**  
Values : 9.2 mm  
Units : 4.7 mm

**Diameter of the propeller :** 100 mm

**Weight :** 200 g (with batteries)



### TECHNICAL FEATURES

Parameter	Temperature	Velocity
<b>Measuring units</b>	°C, °F	m/s, fpm, km/h
<b>Measuring range</b>	From -20 to +80 °C	From 0.3 to 35 m/s
<b>Accuracy*</b>	±0.4% of reading ±0.3°C	From 0.3 to 3 m/s : ±3% of reading ±0.1 m/s From 3.1 to 35 m/s : ±1% of reading ±0.3 m/s
<b>Resolution</b>	0.1 °C	From 0.3 to 3 m/s : 0.01 m/s From 3.1 to 35 m/s : 0.1 m/s
<b>Response time</b>	T63 = 5 s	T63 = 4 s
<b>Measuring elements</b>	CTN	Hall effect sensor
<b>Operating temperature</b>	From 0 to +50 °C	
<b>Storage temperature</b>	From -20 to +80 °C	
<b>Power supply</b>	4 batteries AAA LR03 1.5 V	
<b>Battery life</b>	70 hours	
<b>Conformity</b>	Directives CEM 2004/108/CE and NF EN 61010-1	

\* All the accuracies indicated in this technical datasheet were stated in laboratory conditions, and can be guaranteed for measurements carried out in the same conditions, or carried out with calibration compensation

---

## SUPPLIED WITH

---

Instruments are supplied with an adjustment certificate and a soft case.



---

## ACCESSORIES

---

- Adjustment certificate
- Soft case
- Magnetic protective housing



---

## MAINTENANCE

---

We carry out calibration, adjustment and maintenance of your instruments to guarantee a constant level of quality of your measurements. As part of Quality Assurance Standards, we recommend you to carry out a yearly checking.

---

## GUARANTEE

---

Instruments have 1-year guarantee for any manufacturing defect (return to our After-Sales Service required for appraisal).

---

## USE OF THE INSTRUMENT

---

### Take a measurement

- Switch on the instrument by pressing on « **On/Off/Hold** ».  
*The instrument displays its name « LV50 », then the measured value.*
- Press briefly on « **Select** » to move from the velocity measurement to the temperature measurement.

### Hold the measurement

*During measurement:*

- Press briefly on « **On/Off/Hold** » to hold measurement.  
*« Hold » appears on the screen and temperature and velocity measurements are fixed.*
- Press briefly on « **Select** » to move from one parameter to the other.
- Press again briefly on « **On/Off/Hold** » to exit the Hold function.

### Change the velocity unit

- Press briefly on « **Select** » up to display the velocity.
- Pressing longer on « **Select** » to change the velocity unit.
- Press briefly on « **Select** » to select the unit: m/s, fpm, km/h.
- Pressing longer on « **Select** » to validate unit and return to the normal measuring mode.

### Change the temperature unit

- Press briefly on « **Select** » up to display the temperature.
- Pressing longer on « **Select** » to change the temperature unit.
- Press briefly on « **Select** » to select unit : °C or °F.
- Pressing longer on « **Select** » to confirm unit and return to the normal measuring mode.

### How to change batteries

- Remove the front part at the back of the instrument.
- Replace used batteries by new batteries AAA LR03 1.5 V.
- Replace the front.

Auto shut-off : the instrument switches off if not used during 20 minutes.



Once returned to KIMO, required waste collection will be assured in the respect of the environment in accordance to 2002/96/CE guidelines relating to WEEE.

[www.kimo.fr](http://www.kimo.fr)

Distributed by :



EXPORT DEPARTMENT

Tel : + 33. 1. 60. 06. 69. 25 - Fax : + 33. 1. 60. 06. 69. 29

e-mail : [export@kimo.fr](mailto:export@kimo.fr)

